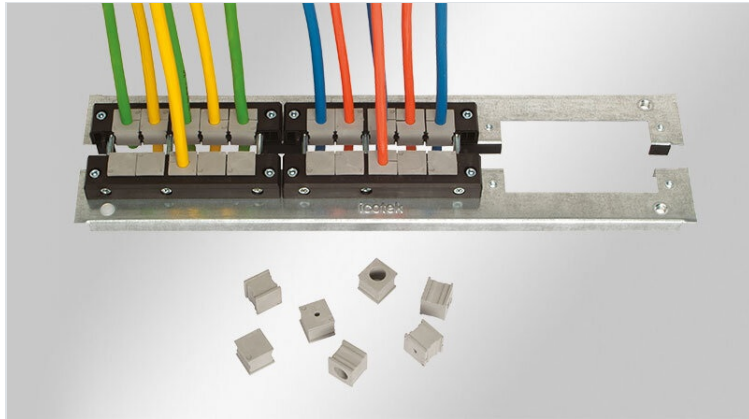


# KDR 2 split gland plates

for Rittal TS 8 & Rittal VX25 enclosures / IP54



IP54

RoHS  
compliant

REACH  
COMPLIANCE

Made in  
Germany

Split, 2-part gland plates KDR 2 with pre-cut holes for [KEL](#) and [KEL-JUMBO cable entry systems](#).

Integrated screw holes provide quick and easy installation of KEL frames.

## Specifications

IP rating (EN 60529)	IP54
Material	Steel, zinc plated

## Advantages & Benefits

- During assembly, almost the complete base of the enclosure can be used for installation of cables
- Even large connectors can be installed easily
- Subsequent assembly possible
- No additional sheet metal work required
- Cut-outs, which are no longer required, are covered with metal blank plates Type BPM

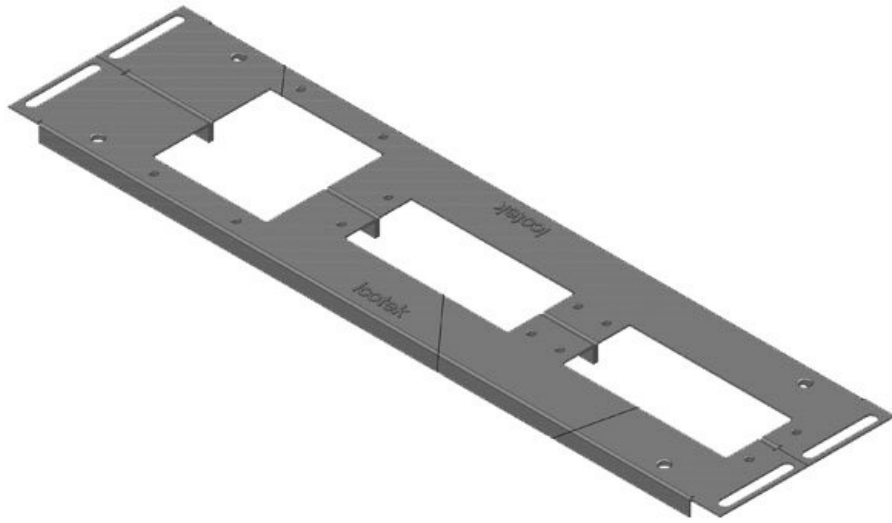
## Product types & Sizes

KDR2-VX25-600-44400



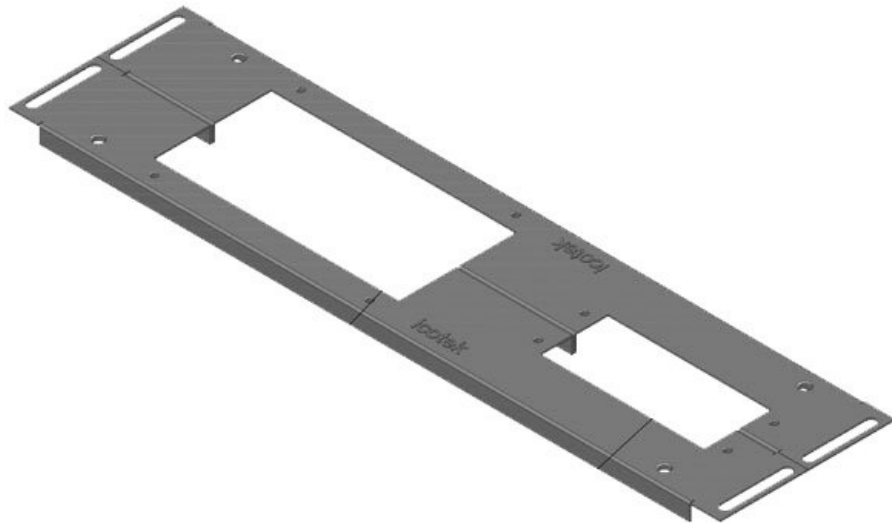
Part No.	<b>44400</b>	Total length	<b>488 mm</b>
EAN	<b>4251269320</b>	gland plate	
	<b>262</b>	For enclosure	<b>600 mm</b>
Package	<b>1</b>	width	
quantity		Sight size of	<b>452 mm</b>
Height	<b>12 mm</b>	base opening	
Suitable for	<b>Rittal VX25</b>	Suitable for	<b>3 x KEL 24</b>
enclosure		cable entry	
Length	<b>488 mm</b>	systems:	
Width	<b>100 mm</b>		

KDR2-VX25-600-44401



Part No.	<b>44401</b>	Total length	<b>488 mm</b>
EAN	<b>4251269320</b>	gland plate	
	<b>279</b>	For enclosure	<b>600 mm</b>
Package	<b>1</b>	width	
quantity		Sight size of	<b>452 mm</b>
Height	<b>12 mm</b>	base opening	
Suitable for	<b>Rittal VX25</b>	Suitable for	<b>2 x KEL 24, 1</b>
enclosure		cable entry	<b>x KEL-JUMBO</b>
Length	<b>488 mm</b>	systems:	<b>1</b>
Width	<b>120 mm</b>		

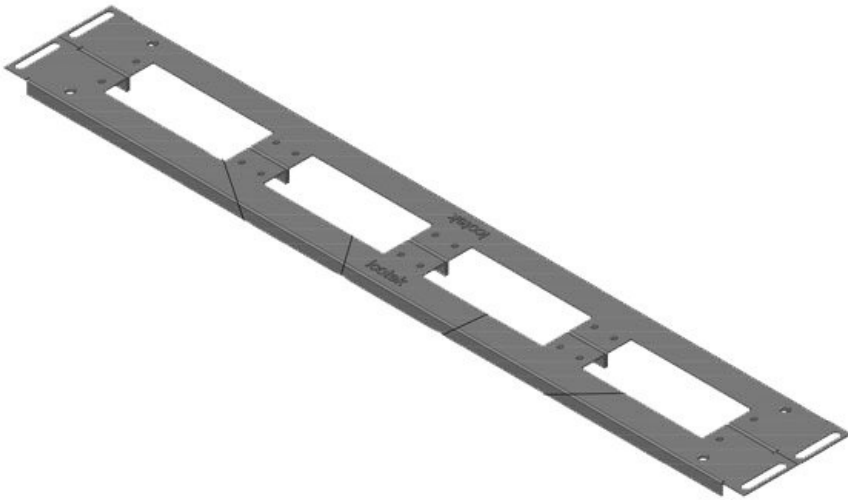
KDR2-VX25-600-44402



Part No.	<b>44402</b>	Total length	<b>488 mm</b>
EAN	<b>4251269320</b>	gland plate	
	<b>286</b>	For enclosure	<b>600 mm</b>
Package	<b>1</b>	width	
quantity		Sight size of	<b>452 mm</b>
Height	<b>12 mm</b>	base opening	
Suitable for	<b>Rittal VX25</b>	Suitable for	<b>1 x KEL 24, 1</b>
enclosure		cable entry	<b>x KEL-JUMBO</b>
Length	<b>488 mm</b>	systems:	<b>2</b>
Width	<b>120 mm</b>		

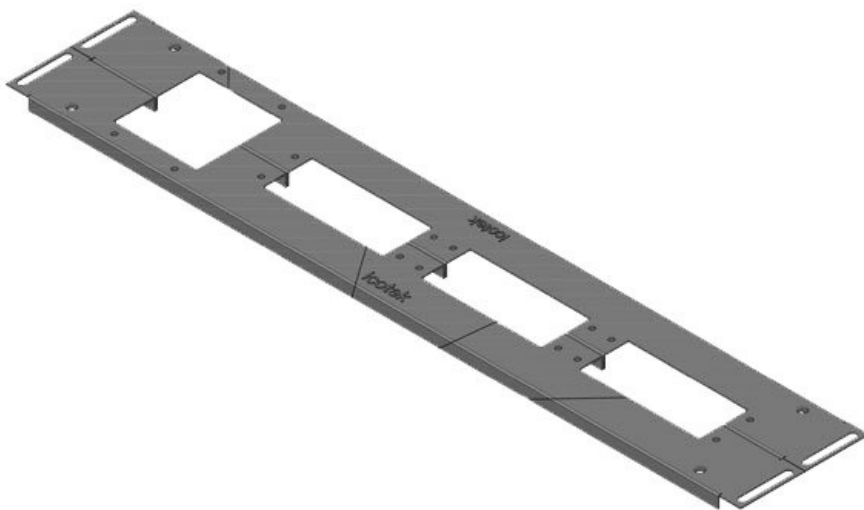
**KDR2-VX25-600-44403**

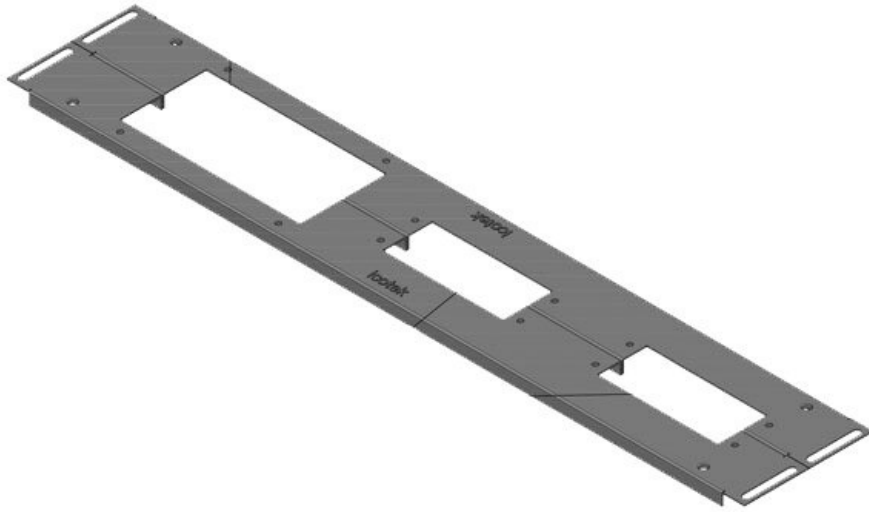
Part No.	<b>44403</b>	Total length	<b>688 mm</b>
EAN	<b>4251269320</b>	gland plate	
	<b>293</b>	For enclosure	<b>800 mm</b>
Package	<b>1</b>	width	
quantity		Sight size of	<b>652 mm</b>
Height	<b>12 mm</b>	base opening	
Suitable for	<b>Rittal VX25</b>	Suitable for	<b>4 × KEL 24</b>
enclosure		cable entry	
Length	<b>688 mm</b>	systems:	
Width	<b>100 mm</b>		



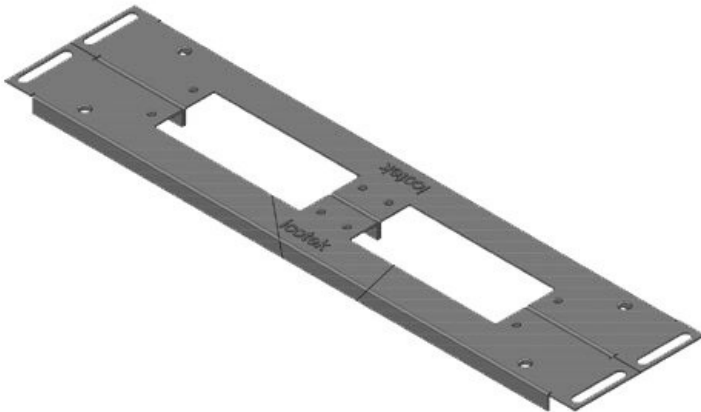
**KDR2-VX25-600-44404**

Part No.	<b>44404</b>	Total length	<b>688 mm</b>
EAN	<b>4251269320</b>	gland plate	
	<b>309</b>	For enclosure	<b>800 mm</b>
Package	<b>1</b>	width	
quantity		Sight size of	<b>652 mm</b>
Height	<b>12 mm</b>	base opening	
Suitable for	<b>Rittal VX25</b>	Suitable for	<b>3 × KEL 24, 1</b>
enclosure		cable entry	<b>× KEL-JUMBO</b>
Length	<b>688 mm</b>	systems:	<b>1</b>
Width	<b>120 mm</b>		





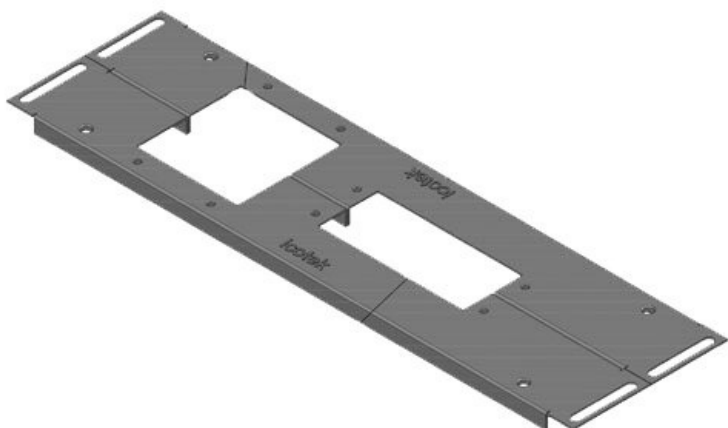
Part No.	<b>44405</b>	Total length	<b>688 mm</b>
EAN	<b>4251269320</b>	gland plate	
	<b>316</b>	For enclosure	<b>800 mm</b>
Package	<b>1</b>	width	
quantity		Sight size of	<b>652 mm</b>
Height	<b>12 mm</b>	base opening	
Suitable for	<b>Rittal VX25</b>	Suitable for	<b>2 x KEL 24, 1</b>
enclosure		cable entry	<b>x KEL-JUMBO</b>
Length	<b>688 mm</b>	systems:	<b>2</b>
Width	<b>120 mm</b>		



Part No.	<b>44406</b>	Total length	<b>438 mm</b>
EAN	<b>4251269320</b>	gland plate	
	<b>323</b>	For enclosure	<b>1.000 mm</b>
Package	<b>1</b>	width	
quantity		Sight size of	<b>402 mm</b>
Height	<b>12 mm</b>	base opening	
Suitable for	<b>Rittal VX25</b>	Division bar	<b>yes</b>
enclosure		Suitable for	<b>2 x KEL 24</b>
Length	<b>438 mm</b>	cable entry	
Width	<b>100 mm</b>	systems:	

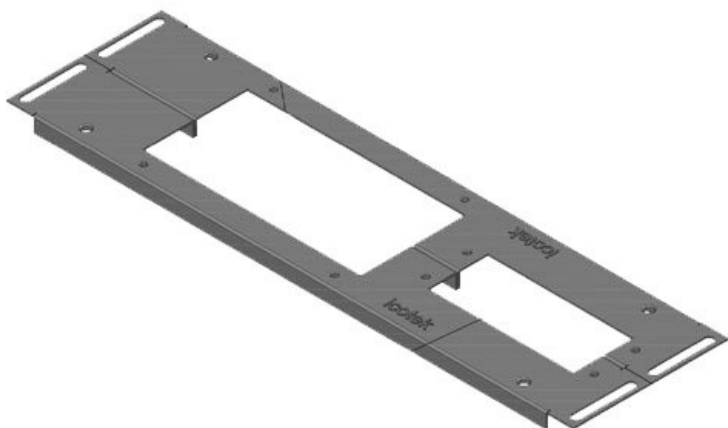
KDR2-VX25-1000-44407

Part No.	<b>44407</b>	Total length	<b>438 mm</b>
EAN	<b>4251269320</b>	gland plate	
	<b>330</b>	For enclosure	<b>1.000 mm</b>
Package	<b>1</b>	width	
quantity		Sight size of	<b>402 mm</b>
Height	<b>12 mm</b>	base opening	
Suitable for	<b>Rittal VX25</b>	Division bar	<b>yes</b>
enclosure		Suitable for	<b>1 x KEL 24, 1</b>
Length	<b>438 mm</b>	cable entry	<b>x KEL-JUMBO</b>
Width	<b>120 mm</b>	systems:	<b>1</b>

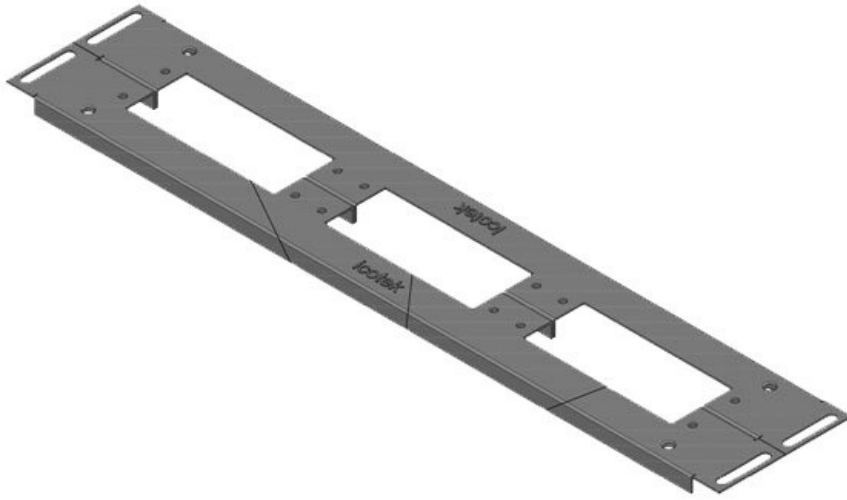


KDR2-VX25-1000-44408

Part No.	<b>44408</b>	Total length	<b>438 mm</b>
EAN	<b>4251269320</b>	gland plate	
	<b>347</b>	For enclosure	<b>1.000 mm</b>
Package	<b>1</b>	width	
quantity		Sight size of	<b>402 mm</b>
Height	<b>12 mm</b>	base opening	
Suitable for	<b>Rittal VX25</b>	Division bar	<b>yes</b>
enclosure		Suitable for	<b>1 x KEL 24, 1</b>
Length	<b>438 mm</b>	cable entry	<b>x KEL-JUMBO</b>
Width	<b>120 mm</b>	systems:	<b>2</b>

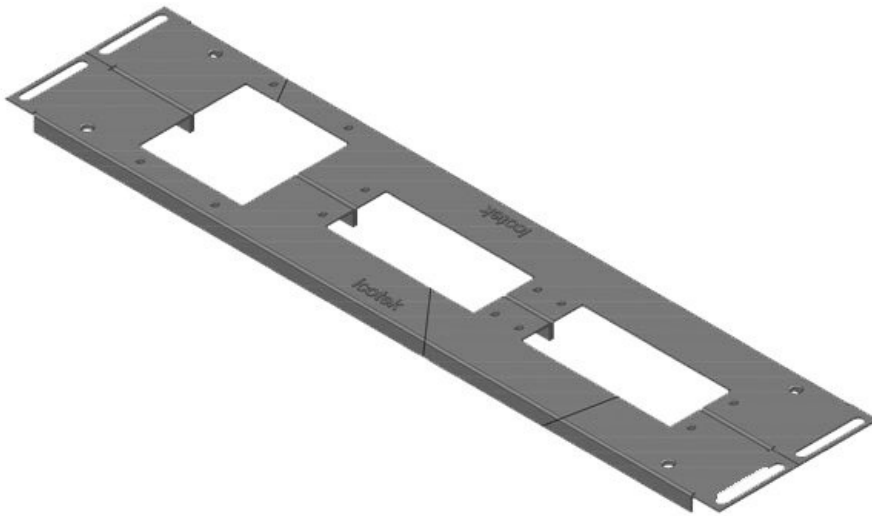


KDR2-VX25-1200-44409



Part No.	<b>44409</b>	Total length	<b>538 mm</b>
EAN	<b>4251269320</b>	gland plate	
	<b>354</b>	For enclosure	<b>1.200 mm</b>
Package	<b>1</b>	width	
quantity		Sight size of	<b>502 mm</b>
Height	<b>12 mm</b>	base opening	
Suitable for	<b>Rittal VX25</b>	Suitable for	<b>3 x KEL 24</b>
enclosure		cable entry	
Length	<b>538 mm</b>	systems:	
Width	<b>100 mm</b>		

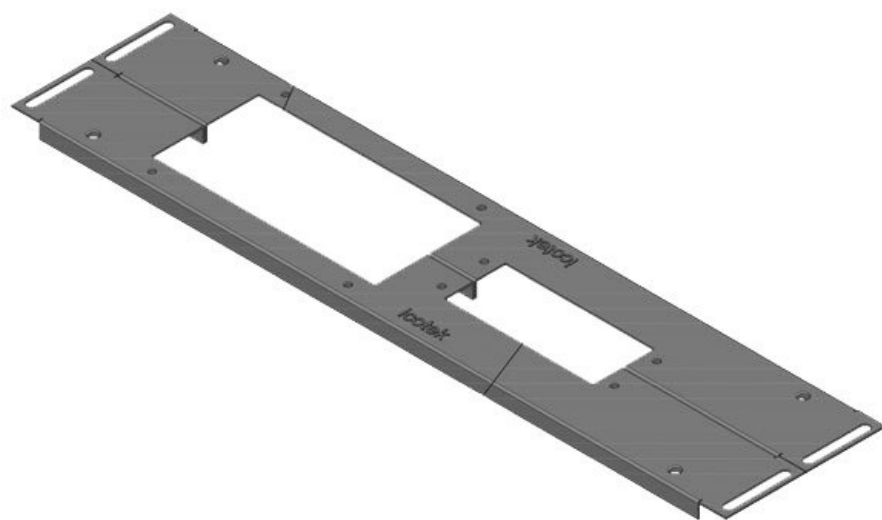
KDR2-VX25-1200-44410



Part No.	<b>44410</b>	Total length	<b>538 mm</b>
EAN	<b>4251269320</b>	gland plate	
	<b>361</b>	For enclosure	<b>1.200 mm</b>
Package	<b>1</b>	width	
quantity		Sight size of	<b>502 mm</b>
Height	<b>12 mm</b>	base opening	
Suitable for	<b>Rittal VX25</b>	Suitable for	<b>2 x KEL 24, 1</b>
enclosure		cable entry	<b>x KEL-JUMBO</b>
Length	<b>538 mm</b>	systems:	<b>1</b>
Width	<b>120 mm</b>		

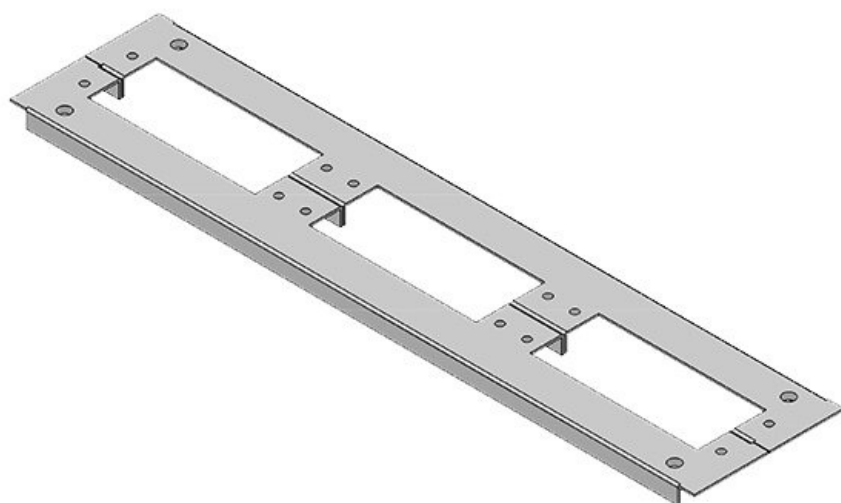
**KDR2-VX25-1200-44411**

Part No.	<b>44411</b>	Total length	<b>538 mm</b>
EAN	<b>4251269320</b>	gland plate	
	<b>378</b>	For enclosure	<b>1.200 mm</b>
Package	<b>1</b>	width	
quantity		Sight size of	<b>502 mm</b>
Height	<b>12 mm</b>	base opening	
Suitable for	<b>Rittal VX25</b>	Suitable for	<b>1 x KEL 24, 1</b>
enclosure		cable entry	<b>x KEL-JUMBO</b>
Length	<b>538 mm</b>	systems:	<b>2</b>
Width	<b>120 mm</b>		

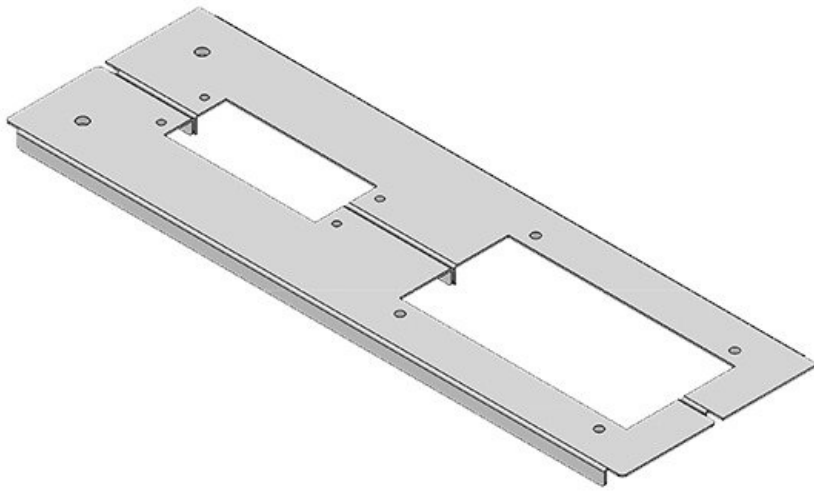


**KDR2-TS8-600-42924**

Part No.	<b>42924</b>	Total length	<b>458 mm</b>
EAN	<b>4251269309</b>	gland plate	
	<b>397</b>	For enclosure	<b>600 mm</b>
Package	<b>1</b>	width	
quantity		Sight size of	<b>435 mm</b>
Height	<b>12 mm</b>	base opening	
Suitable for	<b>Rittal TS 8</b>	Suitable for	<b>3 x KEL 24</b>
enclosure		cable entry	
Length	<b>458 mm</b>	systems:	
Width	<b>100 mm</b>		

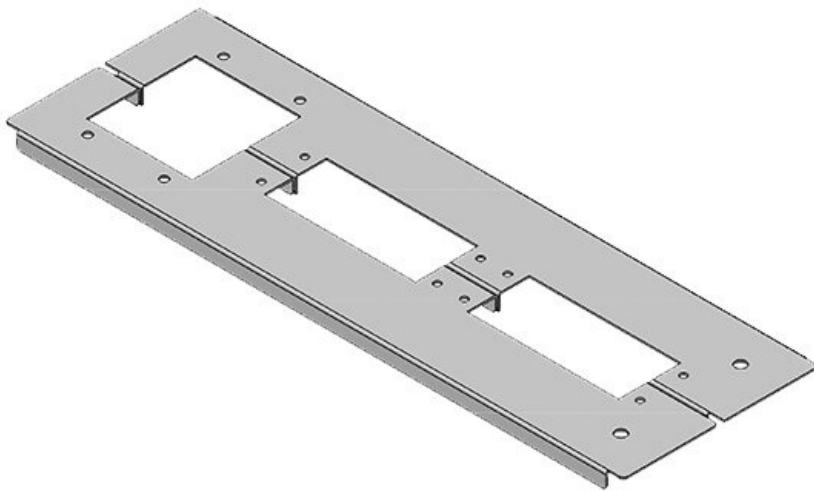


KDR2-TS8-600-42941



Part No.	<b>42941</b>	Total length	<b>458 mm</b>
EAN	<b>4251269309</b>	gland plate	
	<b>403</b>	For enclosure	<b>600 mm</b>
Package	<b>1</b>	width	
quantity		Sight size of	<b>435 mm</b>
Height	<b>12 mm</b>	base opening	
Suitable for	<b>Rittal TS 8</b>	Suitable for	<b>1 x KEL 24, 1</b>
enclosure		cable entry	<b>x KEL-JUMBO</b>
Length	<b>458 mm</b>	systems:	<b>2</b>
Width	<b>148,5 mm</b>		

KDR2-TS8-600-42953

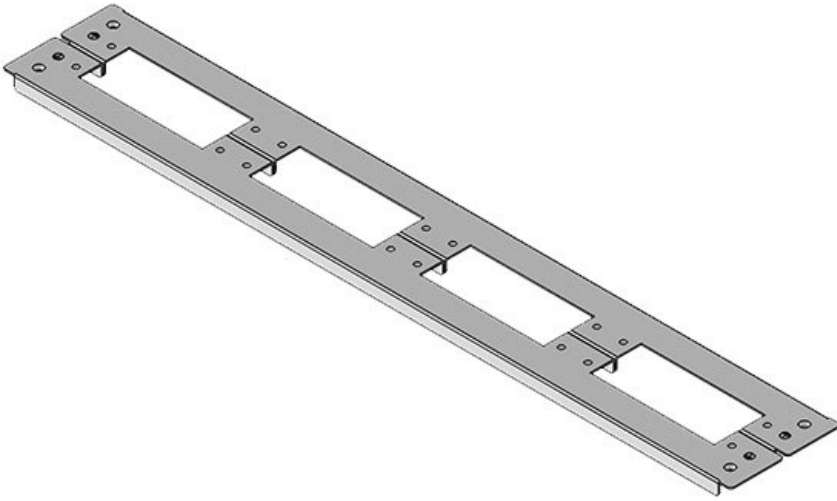


Part No.	<b>42953</b>	Total length	<b>458 mm</b>
EAN	<b>4251269309</b>	gland plate	
	<b>441</b>	For enclosure	<b>600 mm</b>
Package	<b>1</b>	width	
quantity		Sight size of	<b>435 mm</b>
Height	<b>12 mm</b>	base opening	
Suitable for	<b>Rittal TS 8</b>	Suitable for	<b>2 x KEL 24, 1</b>
enclosure		cable entry	<b>x KEL-JUMBO</b>
Length	<b>458 mm</b>	systems:	<b>1</b>
Width	<b>148,5 mm</b>		



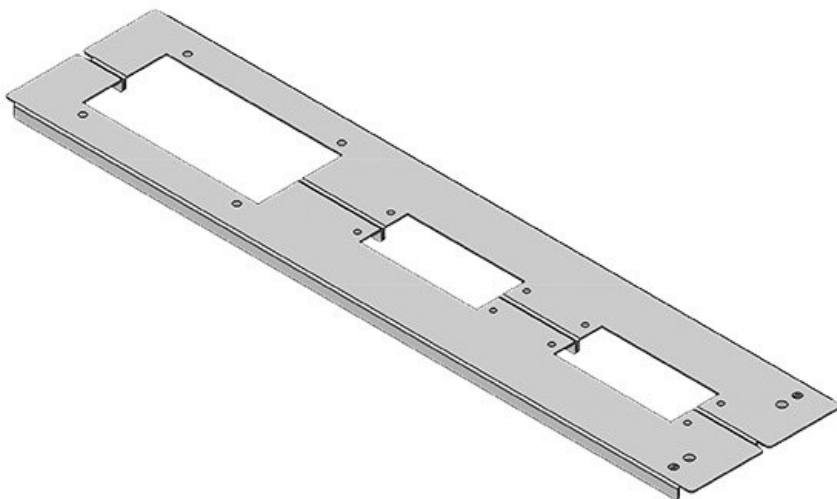
**KDR2-TS8-800-42922**

Part No.	<b>42922</b>	Total length	<b>658 mm</b>
EAN	<b>4251269309</b>	gland plate	
	<b>373</b>	For enclosure	<b>800 mm</b>
Package	<b>1</b>	width	
quantity		Sight size of	<b>635 mm</b>
Height	<b>12 mm</b>	base opening	
Suitable for	<b>Rittal TS 8</b>	Suitable for	<b>4 × KEL 24</b>
enclosure		cable entry	
Length	<b>658 mm</b>	systems:	
Width	<b>100 mm</b>		

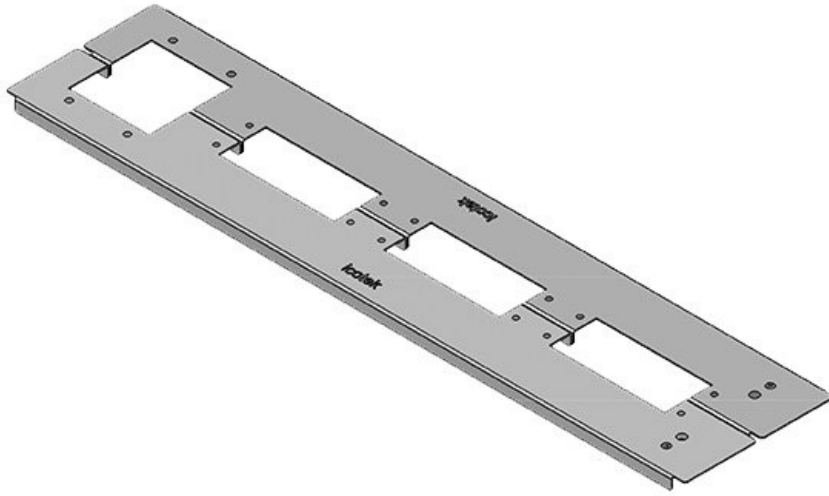


**KDR2-TS8-800-42945**

Part No.	<b>42945</b>	Total length	<b>658 mm</b>
EAN	<b>4251269309</b>	gland plate	
	<b>427</b>	For enclosure	<b>800 mm</b>
Package	<b>1</b>	width	
quantity		Sight size of	<b>635 mm</b>
Height	<b>12 mm</b>	base opening	
Suitable for	<b>Rittal TS 8</b>	Suitable for	<b>2 × KEL 24, 1</b>
enclosure		cable entry	<b>× KEL-JUMBO</b>
Length	<b>658 mm</b>	systems:	<b>2</b>
Width	<b>148,5 mm</b>		

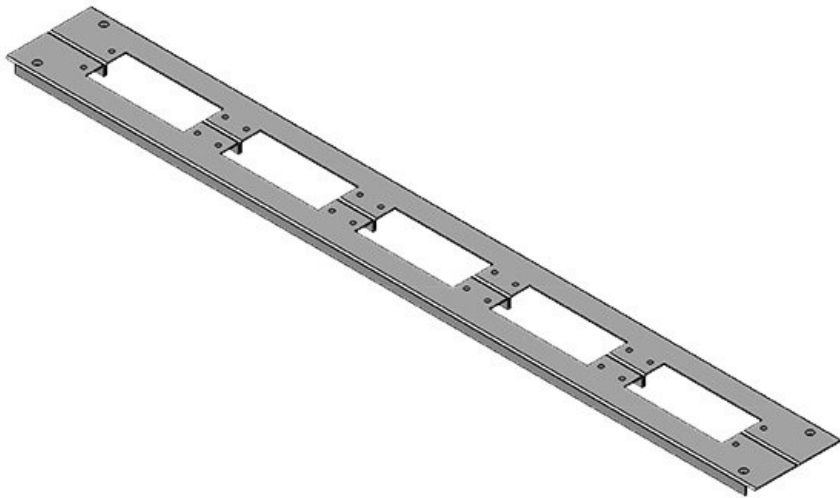


KDR2-TS8-800-42954



Part No.	<b>42954</b>	Total length	<b>658 mm</b>
EAN	<b>4251269309458</b>	gland plate	
Package quantity	<b>1</b>	For enclosure width	<b>800 mm</b>
Height	<b>12 mm</b>	Sight size of base opening	<b>635 mm</b>
Suitable for enclosure	<b>Rittal TS 8</b>	Suitable for cable entry systems:	<b>3 x KEL 24, 1 x KEL-JUMBO</b>
Length	<b>658 mm</b>		<b>1</b>
Width	<b>148,5 mm</b>		

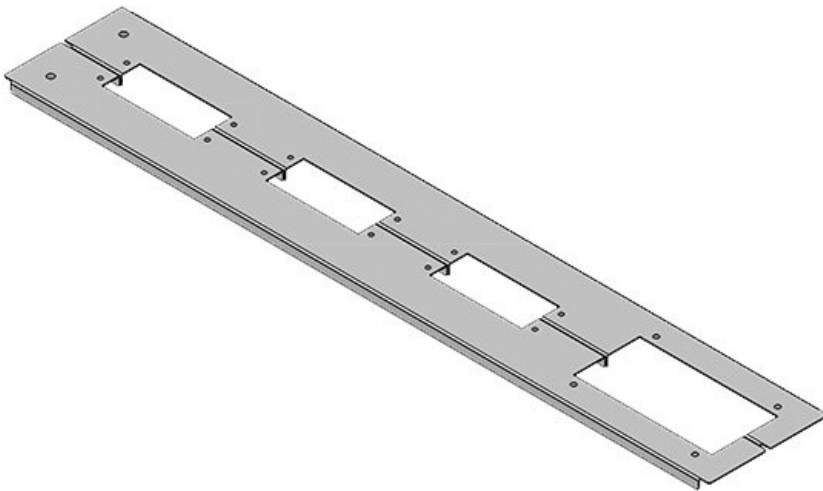
KDR2-TS8-1000-42923



Part No.	<b>42923</b>	Total length	<b>858 mm</b>
EAN	<b>4251269309380</b>	gland plate	
Package quantity	<b>1</b>	For enclosure width	<b>1.000 mm</b>
Height	<b>12 mm</b>	Sight size of base opening	<b>835 mm</b>
Suitable for enclosure	<b>Rittal TS 8</b>	Division bar	<b>no</b>
Length	<b>858 mm</b>	Suitable for cable entry systems:	<b>5 x KEL 24</b>
Width	<b>100 mm</b>		

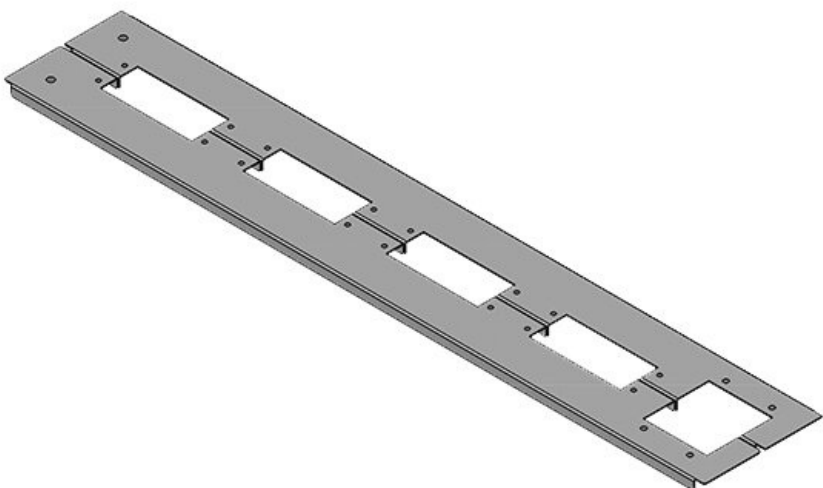
KDR2-TS8-1000-42952

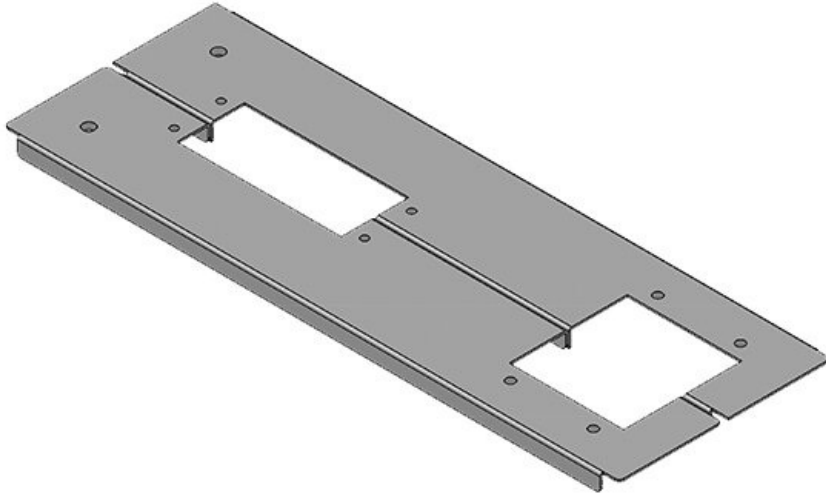
Part No.	<b>42952</b>	Total length	<b>858 mm</b>
EAN	<b>4251269309</b>	gland plate	
	<b>434</b>	For enclosure	<b>1.000 mm</b>
Package	<b>1</b>	width	
quantity		Sight size of	<b>835 mm</b>
Height	<b>12 mm</b>	base opening	
Suitable for	<b>Rittal TS 8</b>	Division bar	<b>no</b>
enclosure		Suitable for	<b>3 × KEL 24, 1</b>
Length	<b>858 mm</b>	cable entry	<b>× KEL-JUMBO</b>
Width	<b>148,5 mm</b>	systems:	<b>2</b>



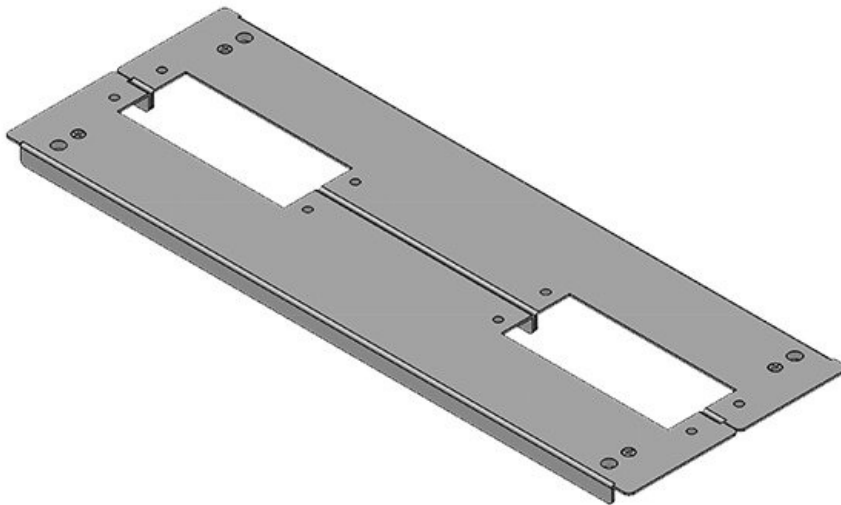
KDR2-TS8-1000-42955

Part No.	<b>42955</b>	Total length	<b>858 mm</b>
EAN	<b>4251269309</b>	gland plate	
	<b>465</b>	For enclosure	<b>1.000 mm</b>
Package	<b>1</b>	width	
quantity		Sight size of	<b>835 mm</b>
Height	<b>12 mm</b>	base opening	
Suitable for	<b>Rittal TS 8</b>	Division bar	<b>no</b>
enclosure		Suitable for	<b>4 × KEL 24, 1</b>
Length	<b>858 mm</b>	cable entry	<b>× KEL-JUMBO</b>
Width	<b>148,5 mm</b>	systems:	<b>1</b>





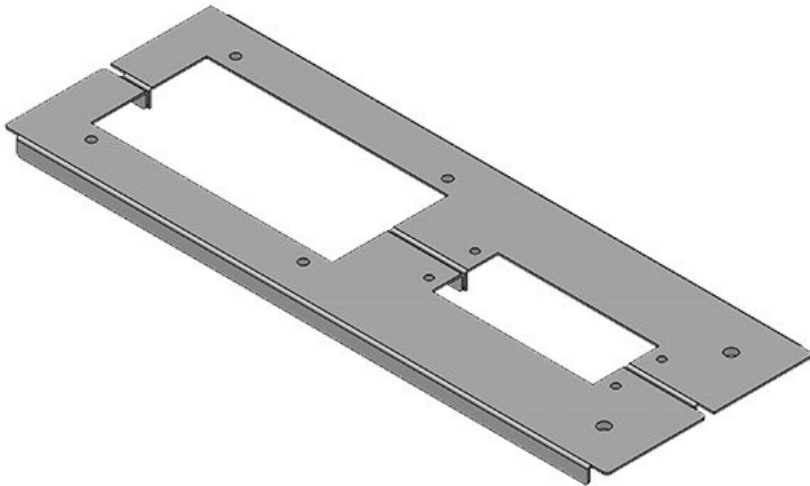
Part No.	<b>42957</b>	Total length	<b>420 mm</b>
EAN	<b>4251269309489</b>	gland plate	
Package quantity	<b>1</b>	For enclosure width	<b>1.000 mm</b>
Height	<b>12 mm</b>	Sight size of base opening	<b>398 mm</b>
Suitable for enclosure	<b>Rittal TS 8</b>	Division bar	<b>yes</b>
Length	<b>420 mm</b>	Suitable for cable entry systems:	<b>1 × KEL 24, 1 × KEL-JUMBO</b>
Width	<b>148,5 mm</b>		<b>1</b>



Part No.	<b>42958</b>	Total length	<b>420 mm</b>
EAN	<b>4251269309496</b>	gland plate	
Package quantity	<b>1</b>	For enclosure width	<b>1.000 mm</b>
Height	<b>12 mm</b>	Sight size of base opening	<b>398 mm</b>
Suitable for enclosure	<b>Rittal TS 8</b>	Division bar	<b>yes</b>
Length	<b>420 mm</b>	Suitable for cable entry systems:	<b>2 × KEL 24</b>
Width	<b>148,5 mm</b>		

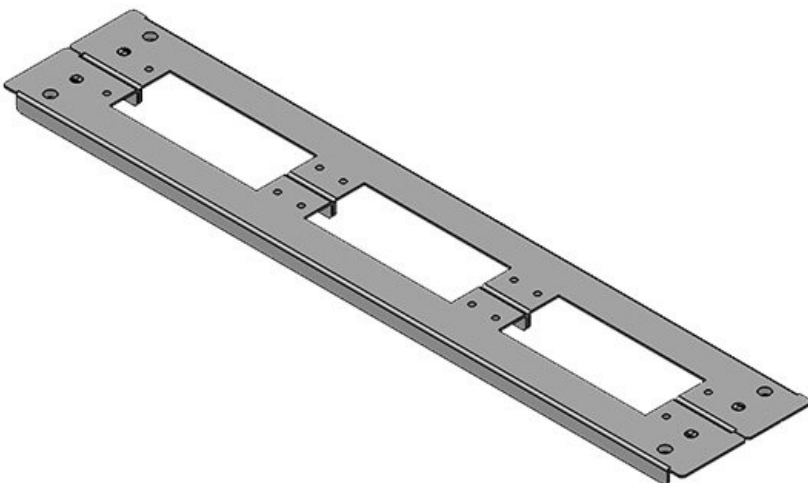
**KDR2-TS8-1000-42959**

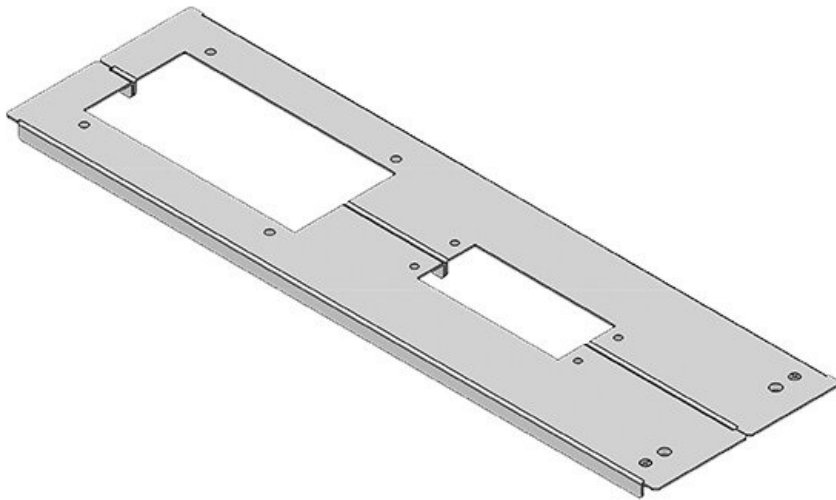
Part No.	<b>42959</b>	Total length	<b>420 mm</b>
EAN	<b>4251269309</b>	gland plate	
	<b>502</b>	For enclosure	<b>1.000 mm</b>
Package	<b>1</b>	width	
quantity		Sight size of	<b>398 mm</b>
Height	<b>12 mm</b>	base opening	
Suitable for	<b>Rittal TS 8</b>	Division bar	<b>yes</b>
enclosure		Suitable for	<b>1 × KEL 24, 1</b>
Length	<b>420 mm</b>	cable entry	<b>× KEL-JUMBO</b>
Width	<b>148,5 mm</b>	systems:	<b>2</b>



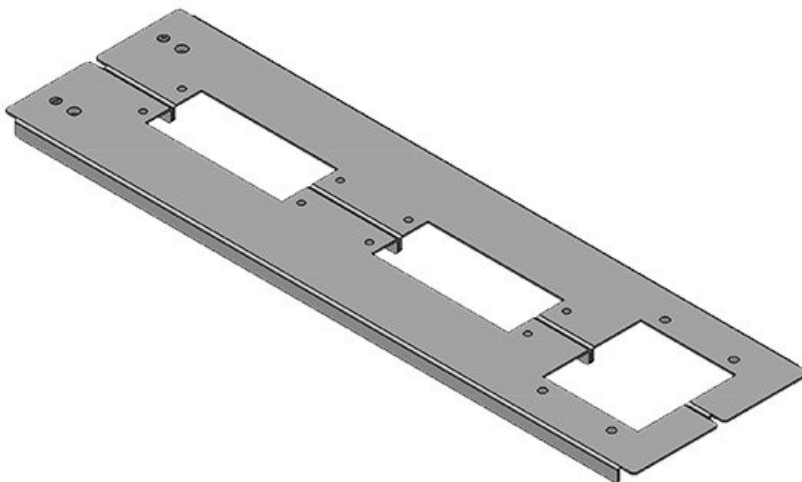
**KDR2-TS8-1200-42920**

Part No.	<b>42920</b>	Total length	<b>518 mm</b>
EAN	<b>4251269309</b>	gland plate	
	<b>366</b>	For enclosure	<b>1.200 mm</b>
Package	<b>1</b>	width	
quantity		Sight size of	<b>495 mm</b>
Height	<b>12 mm</b>	base opening	
Suitable for	<b>Rittal TS 8</b>	Suitable for	<b>3 × KEL 24</b>
enclosure		cable entry	
Length	<b>518 mm</b>	systems:	
Width	<b>100 mm</b>		





Part No.	<b>42943</b>	Total length	<b>518 mm</b>
EAN	<b>4251269309</b>	gland plate	
	<b>410</b>	For enclosure	<b>1.200 mm</b>
Package	<b>1</b>	width	
quantity		Sight size of	<b>495 mm</b>
Height	<b>12 mm</b>	base opening	
Suitable for	<b>Rittal TS 8</b>	Suitable for	<b>1 x KEL 24, 1</b>
enclosure		cable entry	<b>x KEL-JUMBO</b>
Length	<b>518 mm</b>	systems:	<b>2</b>
Width	<b>148,5 mm</b>		



Part No.	<b>42956</b>	Total length	<b>518 mm</b>
EAN	<b>4251269309</b>	gland plate	
	<b>472</b>	For enclosure	<b>1.200 mm</b>
Package	<b>1</b>	width	
quantity		Sight size of	<b>495 mm</b>
Height	<b>12 mm</b>	base opening	
Suitable for	<b>Rittal TS 8</b>	Suitable for	<b>2 x KEL 24, 1</b>
enclosure		cable entry	<b>x KEL-JUMBO</b>
Length	<b>518 mm</b>	systems:	<b>1</b>
Width	<b>148,5 mm</b>		